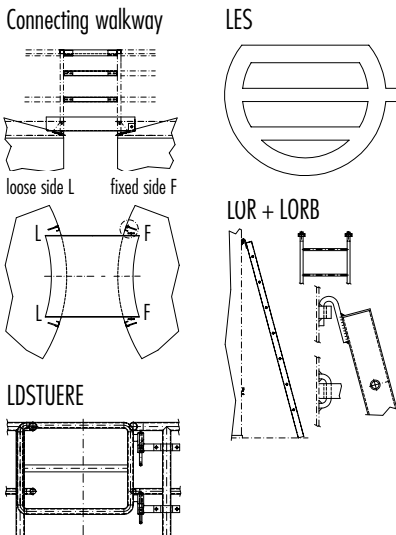
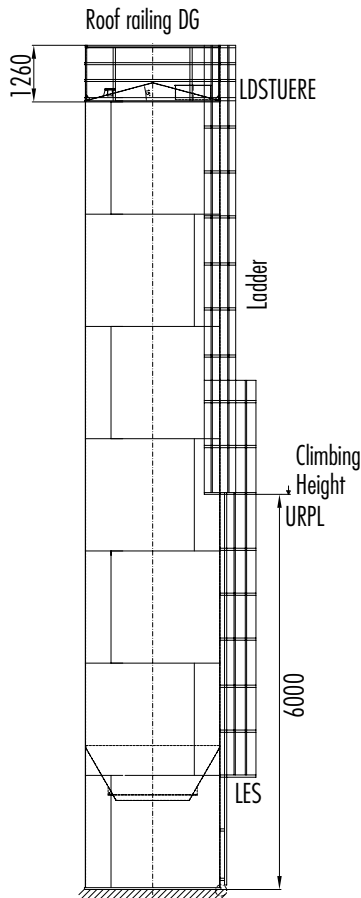


SILO ACCESSORIES

ROOF ENTRANCE

Material:	For items without material data, all parts are made of AlMg3, AlMgSi or Stainless Steel.
Standard accessories:	Accessories always include installation.

Design example



Description	Article no.	
DG	Roof railing 1200 high with handrail, 2 knee rails and a skirting board incl. mounting on the silo roof	
DG 24	Silo diameter d = 2400	DG 24
DG 30	Silo diameter d = 3000	DG 30
DG 35	Silo diameter d = 3500	DG 35
DG 42	Silo diameter d = 4200	DG 42
VS	Connecting walkway with rail 1200 high, 800 wide, made of aluminium chequer plate	
VS 3	up to silo distance 300	VS 3
VS 6	up to silo distance 600	VS 6
VS 9	up to silo distance 900	VS 9
VS 12	up to silo distance 1200	VS 12
VS 15	up to silo distance 1500	VS 15
VS 20	up to silo distance 2000	VS 20
VS 25	up to silo distance 2500	VS 25
VS 30	up to silo distance 3000	VS 30
VS 35	up to silo distance 3500	VS 35
L	Ladder with back protection and silo mounting, total length of ladder = silo measurement b + 1 m	
URPL	Resting platform for ladder "L" mandatory for heights of more than 10 m that have to be climbed, integrated in ladder Design example (according to DIN EN ISO 14122)	
Silo height up to 10 m	no URPL	URPL
Silo height 10 - 12 m	one URPL	
Silo height 12 - 18 m	two URPL	
Silo height 18 - 24 m	three URPL	
Silo height 24 - 30 m	four URPL	
LES	Entrance closure for ladder "L" with padlock	LES
LDSTUERE	Safety door as fall prevention at ladder exit	LDSTUERE
LOR	Ladder without safety cage 2 m, 2.5 m, 3 m long	LOR
LORB	Hangars on more silos for ladder "LOR"	LORB

All measurements in mm.